



PARATILL®

Repair Parts Manual

For Models:	SHEAR BOLT	MECHANICAL TRIP
	118-210	118-220
	118-410, 118-411	118-420, 118-421
	118-610, 118-611	118-620, 118-621
	118-810, 118-811	118-820, 118-821

TABLE OF CONTENTS

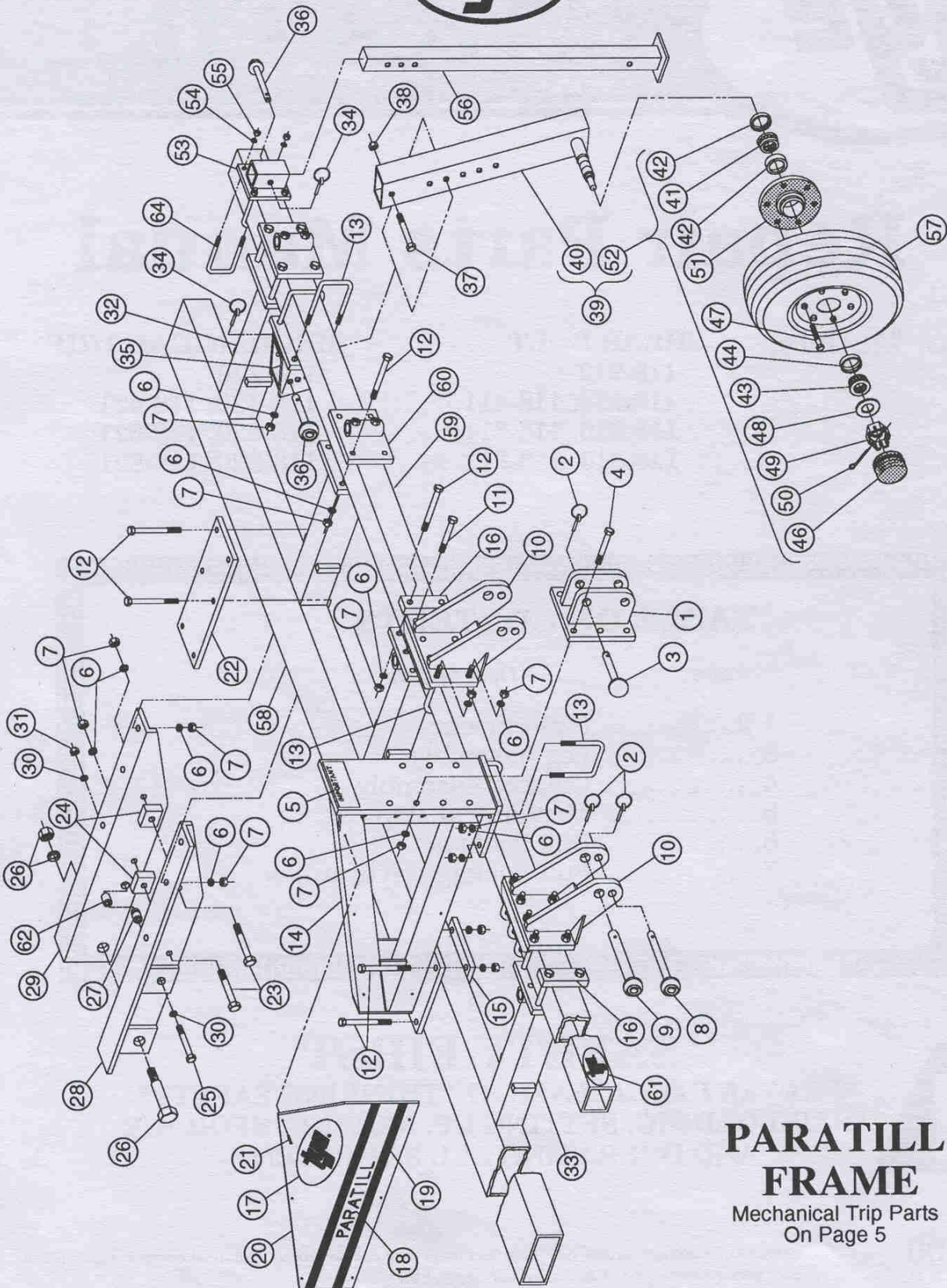
<i>Page</i>	<i>Description</i>
1,2.....	Main Frame
3.....	Leg Assembly
4.....	Coulter Assembly
5.....	Mechanical Trip
6.....	Pull Package
7.....	Pull Package Hydraulics



SAFETY FIRST
PREVENT ACCIDENTS BY "THINKING SAFETY"
IN UNLOADING, SETTING UP, MOVING, STORAGE,
AND OPERATING ALL EQUIPMENT.

\$5.00
U.S.

©1993 AgEquipment Group, L.P. This document may not be reproduced in whole or in part without prior written permission of AgEquipment Group, L.P.



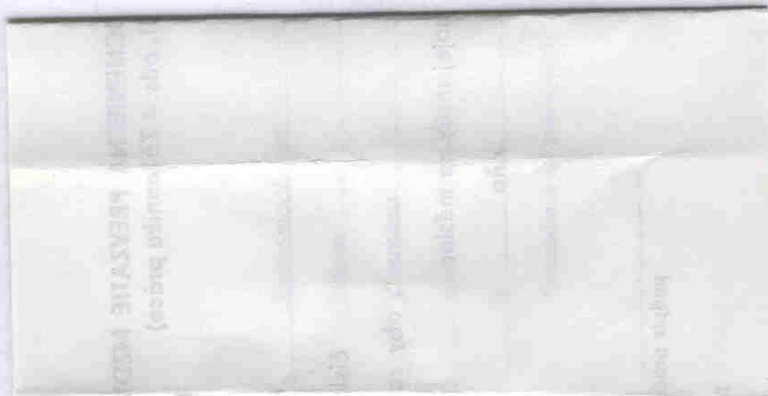
PARATILL FRAME

Mechanical Trip Parts
On Page 5



PARATILL FRAME PARTS LIST

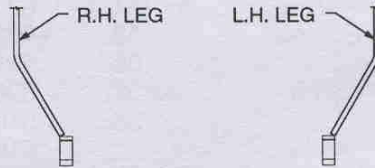
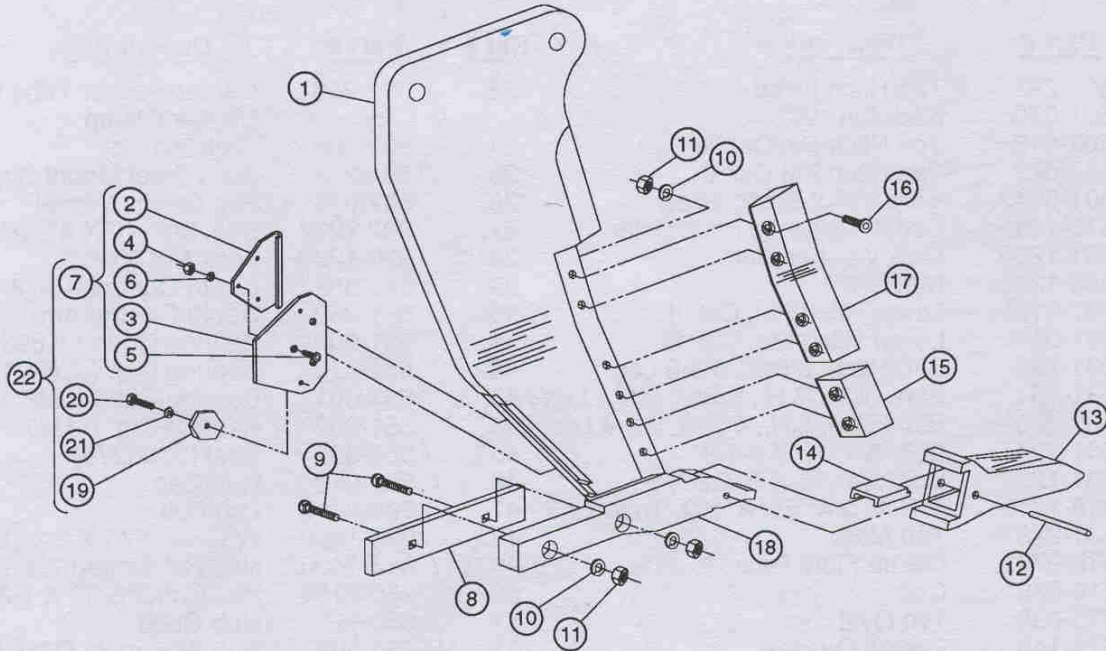
<u>Ref #</u>	<u>Part #</u>	<u>Description</u>	<u>Ref #</u>	<u>Part #</u>	<u>Description</u>
1.	531-292	Top Hitch Fixed	33.	531-253	Center Spacer Tube W/ Coulter Clamp
2.	501-076	Klick Pin			
3.	567-015	Top Hitch Pin Cat. III	34.	501-008	Klick Pin
	567-022	Top Hitch Pin Cat. II	35.	531-229	Ga. Wheel Mount Support
4.	901-0043	Bolt, 3/4" X 2-1/2" GR 5	36.	567-018	Pin, Gauge Wheel
5.	575-149	Decal - Torqued Hitch Bolts	37.	902-1232	Bolt, 3/4"-10 X 4" GR 2
6.	931-1200	Lock Washer, 3/4"	38.	920-1200	Lock Nut 3/4"
7.	903-1200	Nut, 3/4"	39.	540-858	Depth Control Arm & Hub
8.	567-016	Lower Hitch Pin, Cat. II	40.	531-230	Depth Control Arm
9.	567-017	Lower Hitch Pin, Cat. III	41.	551-009	Bearing Cone (JL69349)
10.	531-293	Btm Hitch, 8 Bolt, 6 & 8 Leg	42.	551-010	Bearing Cup (JL69310)
	531-294	Btm Hitch, R.H., 6 Bolt, 2 & 4 Leg	43.	551-001	Bearing Cone (LM67048)
	531-295	Btm Hitch, L.H., 6 Bolt, 2 & 4 Leg	44.	551-002	Bearing Cup (LM67010)
11.	901-1244	Bolt, 3/4"-10 X 5-1/2"	45.	554-005	Seal (0205275)
12.	901-1256	Bolt, 3/4"-10 X 7" GR 5	46.	561-013	Hub Cap
13.	918-1210	U-Bolt, 3/4" For 4" SQ. Tube Gr 5	47.	908-0810	Lug Bolt
14.	531-223	Top Mast	48.	934-1400	Washer .875 X 2 X .126
15.	510-979	Clamp Plate Rear	49.	914-1400	Nut, HX Slotted 7/8-14 PL
16.	510-986	Cap	50.	950-0154	Pin, Cotter 5/32 X 1-3/4
17.	575-085	Tye Oval	51.	550-125	Hub Q888
18.	575-145	Paratill Overlay	52.	564-009	Hub Assembly Q888
19.	575-115	Accent Stripe	53.	531-231	Mount Support Stand
20.	510-987	Side Plate	54.	931-0800	Lock Washer, 1/2"
21.	913-1275	Screw #12 X 3/4 S.T.	55.	903-0800	Nut, 1/2"
22.	510-976	Top Mount Plate	56.	531-232	Support Stand
23.	901-1224	Bolt, 3/4"-10 X 3" GR 5	57.	308-106	Wheel & Tire Assembly
24.	510-977	Spacer Block	58.	510-973	Frame Tube Rear 210"
25.	901-0840	Bolt, 1/2" X 5"		510-975	Frame Tube Rear 138"
26.	540-870	Pivot Bolt Assembly	59.	510-972	Frame Tube Front 210"
27.	510-985	Bushing Shear Angle		510-974	Frame Tube Front 138"
28.	531-224	Leg Mount Angle, R.H.	60.	531-250	Coulter Clamp, 4-Hole
29.	531-225	Leg Mount Angle, L.H.	61.	575-077	Tye Oval
30.	903-0800	Flat Washer, 1/2"	62.	510-984	Bushing Shear Leg
31.	920-0800	Lock Nut, 1/2"	63.	575-146	Tye Oval, (Not Shown)
32.	531-226	Spacer Tube	64.	918-0801	U-Bolt, 1/2"





LEG ASSEMBLY

510-984 Shear Leg Bushing
510-985 Shear Angle Bushing



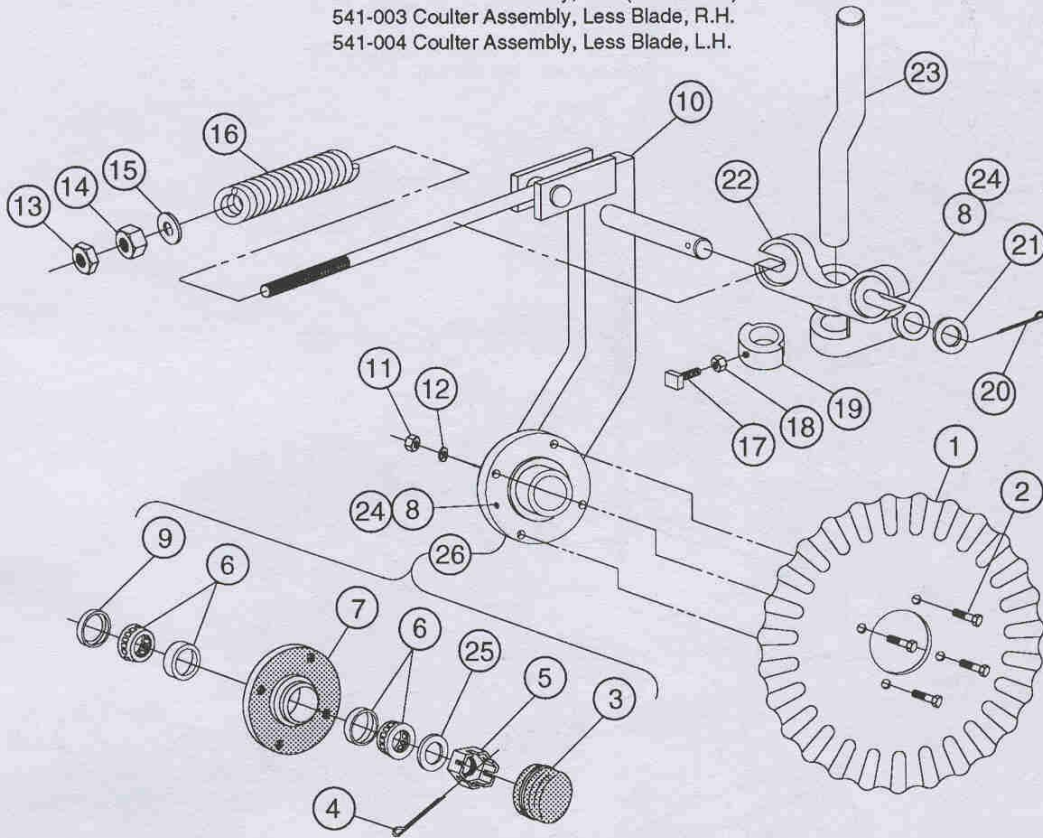
NOTE:
When Viewed From Rear Of Machine

Ref #	Part #	Description	Ref #	Part #	Description
1.	308-100	Leg, R.H. With Wear Parts	14.	550-150	R.H. Instep
	308-101	Leg, L.H. With Wear Parts		550-151	L.H. Instep
2.	511-177	Shatter Plate Bracket	15.	501-312	R.H. Lower Shin
3.	511-178	Shatter Plate Blade		501-313	L.H. Lower Shin
4.	903-0600	Nut, Hx 3/8-16 PL	16.	906M1030	Bolt, Plow 10 X 30mm W/ Nut
5.	906-0608	Bolt Plow 3/8-16 X 1 GR 5 PL	17.	501-314	R.H. Upper Shin
6.	931-0600	Lockwasher 3/8 (RS) PL		501-315	L.H. Upper Shin
7.	540-990	Shatter Plate Assembly	18.	511-056	Weld-On Foot, R.H.
8.	501-316	Landside, Metal		511-057	Weld-On Foot, L.H.
* 9.	906M1035	Bolt, Plow, 10 X 35mm W/ Nut	19.	501-311	Angle Adjuster
10.	931M1001	Lockwasher, 10mm BLK	20.	901-0806	Bolt, HX HD 1/2-13 X 3/4 PL
11.	903M1001	Nut, Hx 10mm IP GR 12.9 BLK	21.	931-0800	Lockwasher 1/2 (RS) PL
12.	951M0860	Roll Pin, 8 X 60mm PL	22.	540-987	Shatter Plate W/ Angle Adj.
13.	550-152	Ductile Reversible Point			
	550-148	Chrome Carbide Reversible Point			



COULTER ASSEMBLY

308-124 Coultter Assembly, R.H. (Shown)
 308-125 Coultter Assembly, L.H. (Not Shown)
 541-003 Coultter Assembly, Less Blade, R.H.
 541-004 Coultter Assembly, Less Blade, L.H.

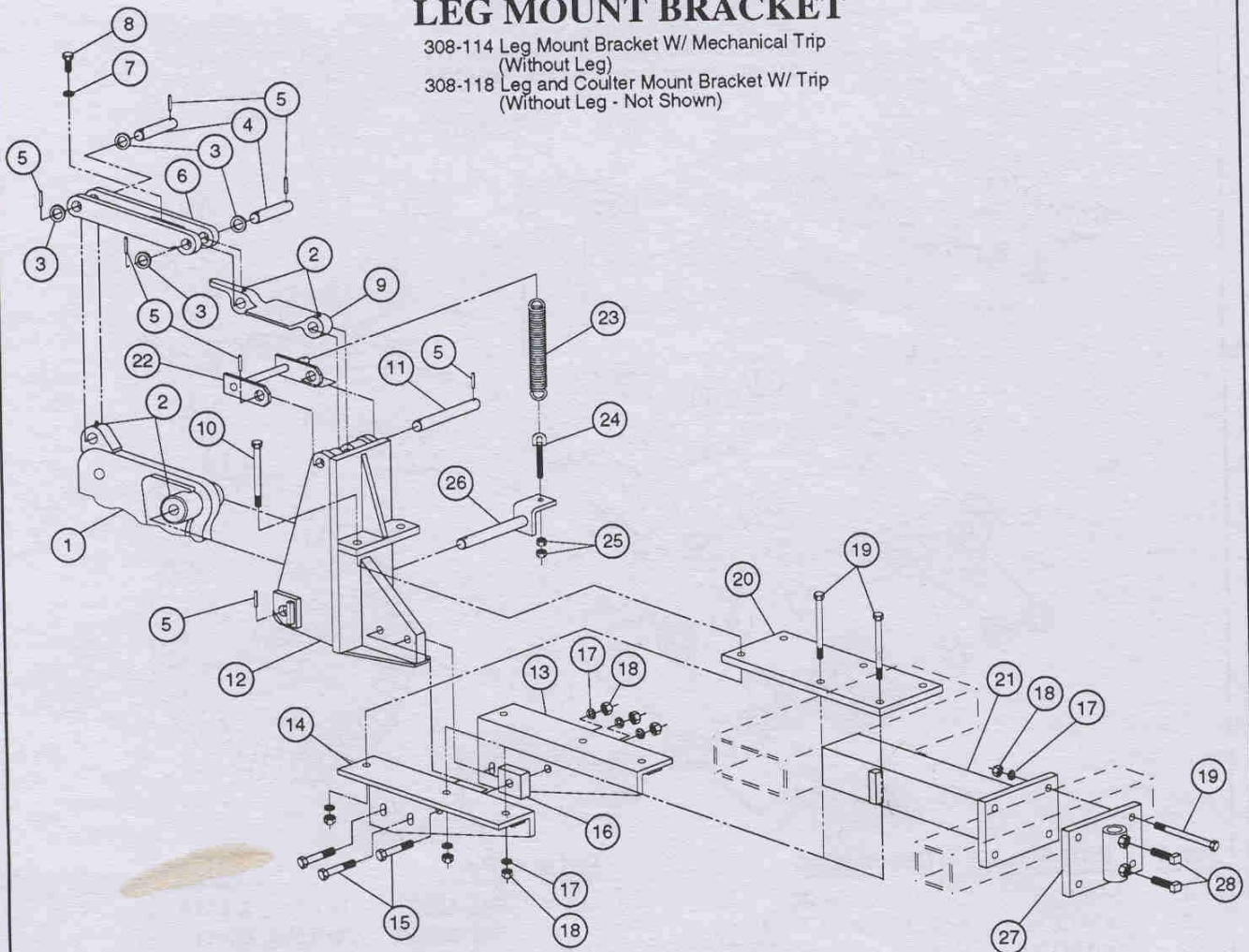


Ref #	Part #	Description	Ref #	Part #	Description
1.	555-210	Coultter Blade, 20"	13.	942-1200	Jam Nut, 3/4" 10 PL
2.	904-0810	Bolt, 1/2"-20 X 1-1/4"		942M2000	Jam Nut, 20mm 2.5 P
	901M1235	Bolt, 12 X 35mm 1.75 P GR 8.8	14.	903-1200	Nut 3/4" 10 PL
3.	561-032	Hub Cap (Knock-On)		903M2000	Nut, 20mm 2.5 P
	561-031	Hub Cap (Bolt-On)	15.	511-016	Washer, Coultter Spring
4.	950-0612	Cotter Pin, 3/16"	16.	569-044	Spring
5.	914-1600	Slotted Nut, 1"	17.	910-1010	Screw, SQ HD 5/8"-11 x 1-1/4"
	914M2700	Slotted Nut, 27mm		910M1630	Screw, SQ HD 16 X 30mm 2 P
6.	551-022	Bearing Cone (LM48548)	18.	942-1000	Jam Nut, 5/8" 11 PL
	551-021	Bearing Cup (LM48510)		942M1600	Jam Nut, 16mm 2 PL
7.	550-146	Hub, (Knock-On Cap)	19.	550-144	Locking Ring
	550-142	Hub, (Bolt-On Cap)	20.	951-1016	Roll Pin, 5/16" X 2 PL
8.	501-228	Grease Fitting, 1/4"	21.	934-1801	Flat Washer, 1.21" X 2" X .148"
	501-334	Grease Fitting, 6mm		930M3000	Flat Washer, 30mm
9.	554-009	Seal	22.	550-147	Hinge Pivot Casting
10.	531-305	Clttr Arm & Spndl, R.H. (Shown)	23.	511-015	Coultter Shank, 40mm
	531-306	Clttr Arm & Spndl, L.H. (Not Shown)	24.	501-229	Grease Fitting Cover Cap
11.	909-0801	Nut, 1/2"	25.	934-1600	Washer, Spindle
	903M1200	Nut, 12mm	26.	564-018	Hub Assembly (W/ Bearings)
12.	931-0800	Lock Washer, 1/2"			
	931M1200	Lock Washer, 12mm			



MECHANICAL TRIP LEG MOUNT BRACKET

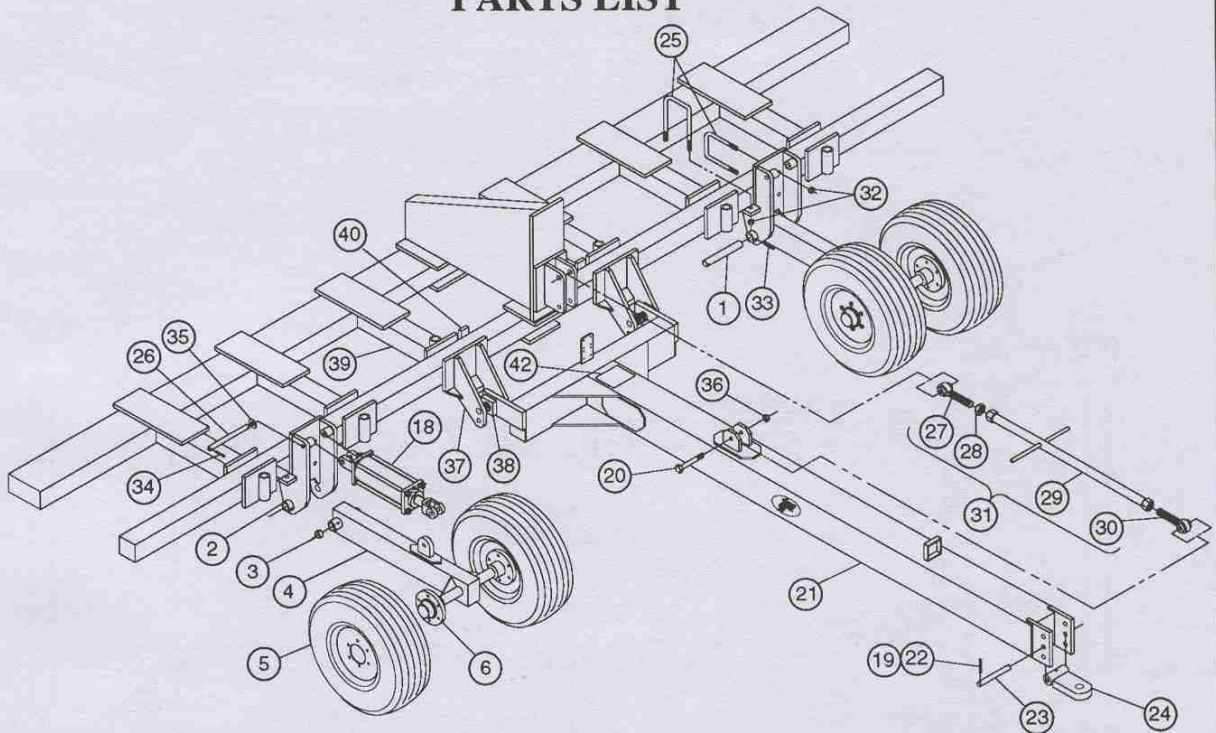
308-114 Leg Mount Bracket W/ Mechanical Trip
(Without Leg)
308-118 Leg and Coultter Mount Bracket W/ Trip
(Without Leg - Not Shown)



Ref #	Part #	Description	Ref #	Part #	Description
1.	308-112	Leg, R.H. Mechanical Trip	15.	901-1228	Bolt, 3/4" X 3-1/2" GR 5
	308-113	Leg, L.H. Mechanical Trip	16.	510-977	Spacer Block
2.	501-228	Grease Fitting	17.	931-1200	Lock Washer, 3/4"
	501-229	Grease Fitting Cap	18.	903-1200	Nut, 3/4"
3.	934-1801	Washer, 1.188 X 2 X .109	19.	901-1256	Bolt, 3/4" X 7" GR 5
4.	511-026	Top Link Pin	20.	510-976	Top Mount Plate
5.	951-0812	Roll Pin, 1/4" X 1-1/2"	21.	531-226	Spacer Tube
6.	531-258	Trip Link		531-253	Spacer Tube W/ Cltr. Clamp
7.	934-1500	Shim Washer	22.	531-288	Spring Trip Support
8.	511-029	Shim Bolt X .275	23.	569-045	Spring
9.	550-145	Spring Link	24.	531-289	Takeup Bolt
10.	901-1264	Bolt, 3/4" X 8" GR 5	25.	903-0800	Nut, 1/2"
11.	511-027	Pivot Trip Pin	26.	531-401	Pivot Pin W/ Spring Takeup
12.	531-259	Trip Bracket		511-046	Spring Takeup Mount
13.	531-261	Mount Angle, L.H.	27.	531-250	Coulter Clamp, 4 Bolt
14.	531-260	Mount Angle, R.H.	28.	910-1010	Screw, SQ HD Set 5/8-11



PARATILL PULL PACKAGE PARTS LIST

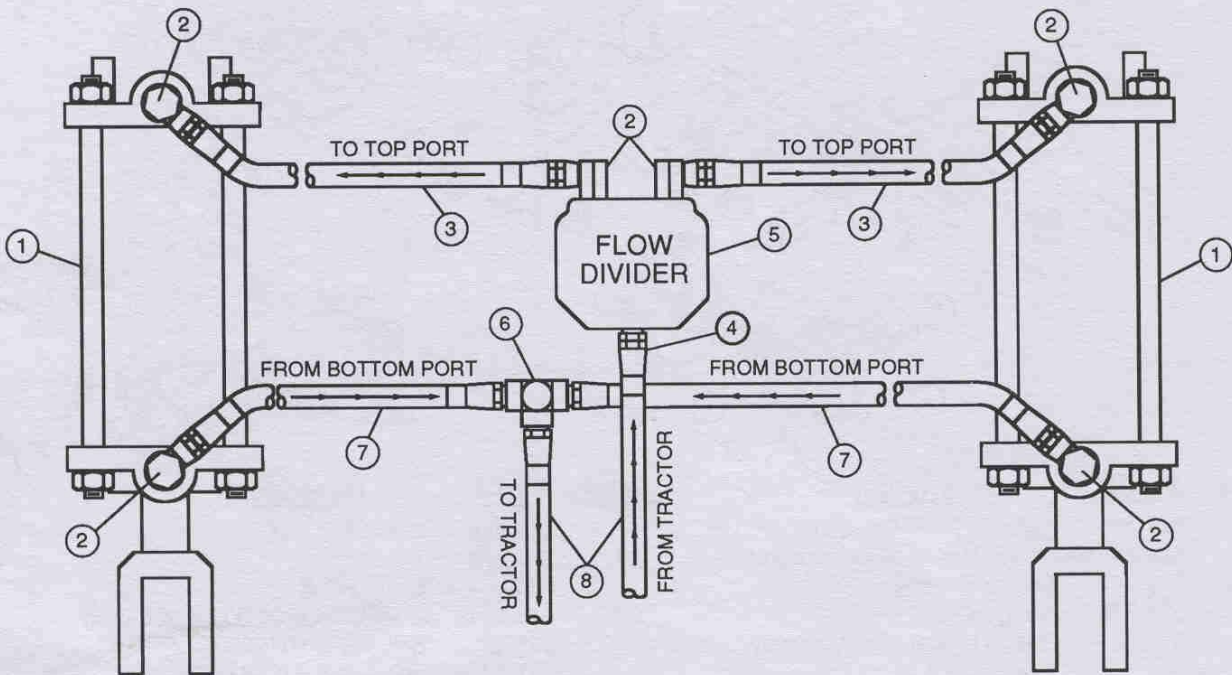


Ref #	Part #	Description	Ref #	Part #	Description
1.	511-105	Cylinder Pivot Pin, 8-7/8"	23.	510-444	Clevis Pin
2.	531-487	Gauge Wheel Mount Bracket	24.	530-777	Tab Hitch
3.	570-012	Sleeve Bearing		530-664	Clevis Hitch
4.	531-380	Gauge Wheel Arm	25.	918-1210	U-Bolt, 3/4 (208-002 & 208-004)
	540-921	Gauge Wheel Arm Assembly (Parts 3, 4 & 6)		901-1280	Bolt, 3/4 X 10 (208-003)
5.	540-337	Wheel & Tire Ass'y 9.5L X 15		901-1256	Bolt, 3/4 X 7 (208-003)
	562-011	Tire 9.5L X 15	26.	511-128	Pivot Pin, 8-3/4"
	563-010	Wheel 15 X 6	27.	531-369	Turnbuckle Bolt Ass'y., R.H.
6.	564-010	Hub Assembly Q783	28.	942-2400	Jam Nut, 1-1/2"
7.	554-007	Seal 0205517 SH: 906493	29.	531-368	Turnbuckle Body (208-002)
8.	551-012	Inner Cone, (LM501349)		531-488	Turnbuckle Body (208-003 & 208-004)
9.	551-011	Inner Cup, (LM501310)	30.	531-370	Turnbuckle Bolt Ass'y., L.H.
10.	550-116	Hub, Q783 SH: 289 011	31.	540-911	Third Link Assy (208-002)
11.	551-002	Outer Cup, (LM67010)		540-973	Third Link Assy (208-003 & 208-004)
12.	551-001	Outer Cone, (LM67048)	32.	920-1200	Lock Nut, 3/4"
13.	934-1400	Washer, .875 X 2 X .156 BLK	33.	951-1424	Roll Pin, 7/16" X 3"
14.	914-1400	Spindle Nut, Q783, 7/8"	34.	951-0812	Roll Pin, 1/4" X 1-1/2"
15.	950-0410	Cotter Pin	35.	930-1600	Washer, 1"
16.	561-013	Hub Cap SH: 909905	36.	903-1600	Nut, 1"
17.	908-0810	Lug Bolt 1/2-20 x 1 1/4"	37.	531-293	8-Bolt Hitch (208-002)
18.	540-952	Hydraulic Cylinder, 4 X 10		531-478	12-Bolt Hitch (208-003 & 208-004)
	511-166	Cylinder Lock (Not Shown)		901-1280	Bolt, 3/4" x 10" (208-003)
19.	501-008	Click Pin	38.	511-129	Square Spacers
20.	901-1640	Bolt, HX HD 1-8 X 5" GR 5	39.	531-253	Spacer Tube W/ Coultter Clamp (208-004)
21.	531-379	Tongue (208-002)	40.	510-986	Cap
	531-483	Tongue (208-003 & 208-004)	41.	531-484	Top Hitch (208-003) Not Shown
22.	951-1418	Roll Pin 7/16" X 2-1/4"		510-986	Cap, 1 X 2 X 6-13/16 (208-003)
			42.	575-202	Decal Warning High Pressure Fluid



PULL PACKAGE HYDRAULIC ROUTING & PARTS

304-496 -- For 208-002
304-507 -- For 208-003 & 208-004



Ref #	Part #	Description	Ref #	Part #	Description
1.	540-952	Hydraulic Cylinder, 4 x 10	6.	574-004	Tee, 3/8
	573-187	Seal Kit		918-0501	U-Bolt, 5/16 For 1" Pipe
2.	571-546	Swivel Adapter, 8MB-6FP X 90		920-0500	Lock Nut, 5/16
3.	571-306	Hydraulic Hose, 3/8 X 72	7.	571-306	Hydraulic Hose, 3/8 X 72
	571-318	Hydraulic Hose, 3/8 X 108		571-324	Hydraulic Hose, 3/8 X 127
		(208-002)			(208-003 & 208-004)
4.	571-518	Solid Adapter, 8MB-6FP	8.	571-310	Hydraulic Hose, 3/8 X 163
5.	573-146	Flow Divider, RD-1508			